

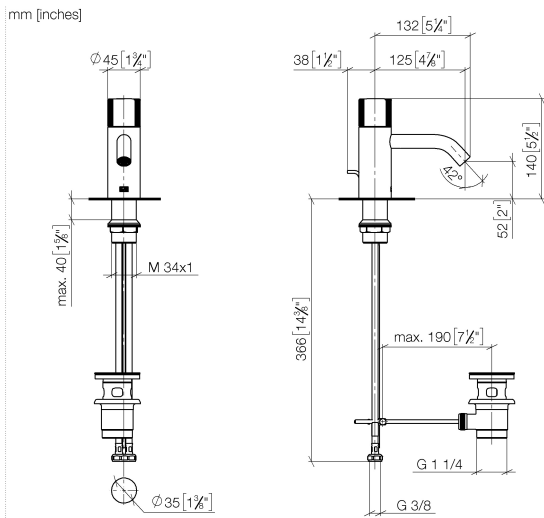
33 501 664



- 125mm projection
- progressive cartridge
- fixed spout
- circular, air-enriched flow
- height of mixer 140 mm
- height up to aerator 52 mm
- hole diameter 35 mm
- 2x screw-in M 8 x 1 pressure hose, leak-tested
- max. flow 5.7 l/min
- lead-free
- This product can help a building meet the requirements of Green Building Rating Systems, e.g. LEED®, BREEAM®, DGNB

Only suitable for basins with an overflow.

33 501 664



**Flow rate chart**

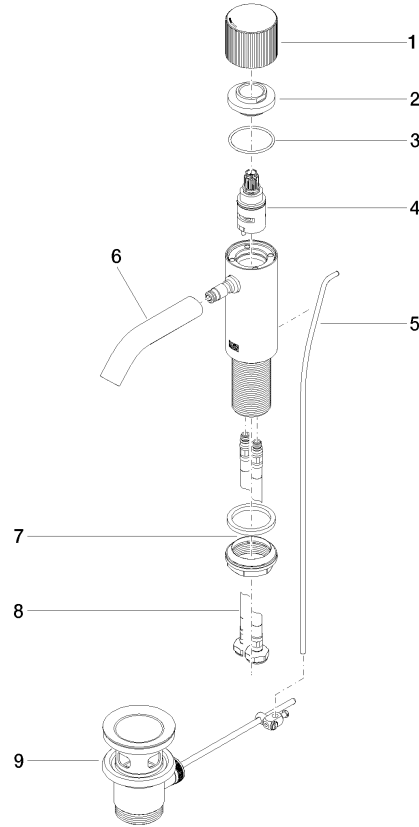


**Certificates**

LGA\_29707.

WRAS\_2004015.

33 501 664



**Spare parts list**

No.	Item Number	Name	Quantity used	Delivery time
1	09 20 66 019-00	handle	1	10
2	09 24 04 340-00	nut	1	60
3	09 14 10 034 90	seal	1	2
4	90 90 03 169 00 90	top	1	2
5	09 31 09 110-00	pull-rod	1	10
6	90 11 06 206 00-00	spout	1	10
7	04 23 10 044 07 90	fixing set	1	2
8	04 30 04 100 00 90	hose	2	2
9	90 11 01 001 00-00	pop-up waste	1	10